

# KALKHOFF VOYAGER MOVE B8

- // Hydraulic Tektro disc brakes
- // Bosch Performance drive system
- // AXA Blueline30 LED front light
- // Schwalbe Energizer E-bike tyres



white glossy



magicblack matte

MOTOR: Bosch Performance, 36 V / 250 W

DISPLAY: Bosch Purion, LCD display with walk assist

BATTERY: Bosch PowerPack Li-Ion 36V / 11,1 Ah (400 Wh)

RANGE: up to 90 mi

CHARGER: Bosch, 2A

Recommended price  
**\$ 2.499**



#### FRAME DESIGNS



#### SPECIFICATIONS

SHIFTING SYSTEM: Shimano Altus, 8-speed  
 SHIFTER: Shimano Altus M310  
 CRANKSET: Concept  
 SPROCKET: Shimano HG200  
 GEAR RATIO: front: 18, rear: 12-32  
 DRIVETRAIN: KMC Z82  
 BRAKES: Tektro T285, hydraulic disc brake  
 BRAKE ROTORS: front: 180 mm, rear: 160 mm  
 FRONT-LIGHT: AXA Blueline30, LED

REAR-LIGHT: AXA Blueline, LED  
 FRAME: Bosch V2, aluminium  
 FORK: SR Suntour NEX, adjustable  
 STEM: Concept SL, adjustable  
 HANDLEBAR: Concept Comfort, Concept Riser, Concept Tour  
 GRIPS: Herrmans Click  
 SADDLE: Concept Trekking  
 SEATPOST: Concept SL  
 PEDALS: Sport aluminium, with reflector

RIMS: Concept, with eyelets  
 HUBS: front: Concept, QR  
 rear: Concept SL, QR  
 TYRES: Schwalbe Energizer Life, 40-622  
 FENDER: plastic, with edge protector  
 FRONT CARRIER: Tour, aluminium  
 KICKSTAND: rear stand  
 PERMISSIBLE  
 TOTAL CAPACITY: 285 lb

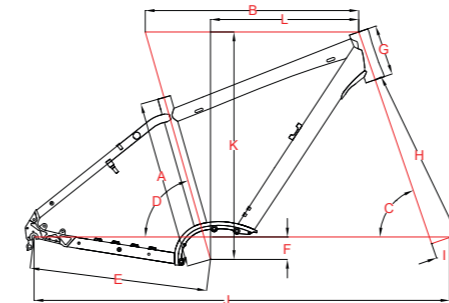
#### ITEM NUMBERS

##### Freewheel

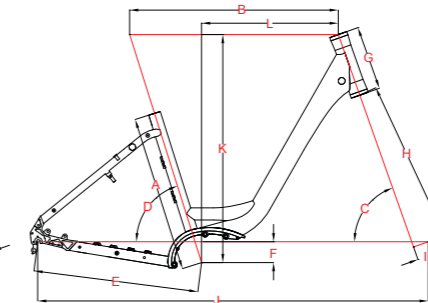
Item	Size
28" Diamond	M/50
28" Diamond	L/55
28" Diamond	XL/60
28" Wave	S/45
28" Wave	M/50
28" Wave	L/55

#### GEOMETRIES

Diamond



Wave



	Diamond			Wave		
Wheel diameter	28"	28"	28"	28"	28"	28"
A Seat tube length (mm)	500	550	600	450	500	550
B Top tube length (mm)	580	595	610	600	615	630
C Steering angle (°)	71	71,5	71,5	70,5	70,5	70,5
D Seat angle (°)	73,5	73	72,5	72,5	72,5	72,5
E Chain stay length (mm)	475	475	475	475	475	475
F Bottom bracket drop (mm)	60	55	55	60	60	60
G Head tube length (mm)	135	170	220	185	195	195
H Fork installation height (mm)	460	460	460	460	460	460
I Forward fork curve (mm)	55	55	55	45	45	45
J Wheelbase (mm)	1113	1120	1129	1123	1139	1154
K Stack (mm)	609	638	685	662	671	671
L Reach (mm)	399	400	394	391	403	418
Standover/step-through height	828	867	916	455	455	455
Handlebar width (mm)	640	660	660	640	640	640
Stem length (mm)	90	110	110	90	90	110
Crank arm length (mm)	170	170	170	170	170	170

The specifications and not the pictures are decisive. Technical changes of the components and errors excepted.