

# KALKHOFF IMAGE MAX B8

- // Capable of carrying 375 lbs
- // Bosch Performance drive system
- // Integrated Bosch Powertube battery with 500 watt hours
- // Adjustable handlebar stem with integrated cable



Diamondblack matte

MOTOR: Bosch Performance, 36 V / 250 W

DISPLAY: Bosch Intuvia LCD, with control panel and walk assistst

BATTERY: Bosch PowerTube Li-Ion 36V / 13,4 Ah (500 Wh)

RANGE: up to 90 mi

CHARGER: Bosch, 4A

Recommended price

**\$ 3.499**



FRAME DESIGNS



## SPECIFICATIONS

SHIFTING SYSTEM: Shimano Nexus, 8-speed  
 SHIFTER: Shimano Nexus  
 CRANKSET: Concept  
 SPROCKET: Shimano  
 GEAR RATIO: front: 38, rear: 18  
 DRIVETRAIN: KMC Z510-EPT  
 BRAKES: Shimano T445, hydraulic disc brake  
 BRAKE ROTORS: front: 180 mm, rear: 160 mm  
 FRONT-LIGHT: Herrmans H-Black MR8, LED

REAR-LIGHT: AXA Blueline, LED  
 FRAME: Integrale 0.5 Belt, aluminium  
 FORK: SR Suntour NEX E25, lockout  
 STEM: Concept EX, adjustable  
 HANDLEBAR: Concept EX City Riser, Concept EX Ergo Riser  
 GRIPS: Herrmans Line  
 SADDLE: Selle Royal Essenza  
 SEATPOST: Patent XXL, suspension  
 PEDALS: Urban, with anti slip protection and reflector

RIMS: Rodi Airline Plus, with eyelets  
 HUBS: front: Shimano HB-M475, QR rear: Shimano Nexus, 8 speed  
 TYRES: Schwalbe Marathon, 47-622  
 FENDER: plastic, with edge protector  
 FRONT CARRIER: Racktime system  
 KICKSTAND: rear stand, adjustable  
 PERMISSIBLE TOTAL CAPACITY: 375 lb

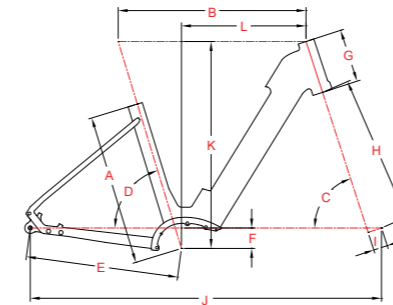
## ITEM NUMBERS

### Freewheel

Item	Size
28" Wave	S/43
28" Wave	M/48
28" Wave	L/53

## GEOMETRIES

Wave



	Diamond			
Wheel diameter	28"	28"	28"	28"
A Seat tube length (mm)	430	480	530	580
B Top tube length (mm)	588,2	597,1	606	614,9
C Steering angle (°)	72	72	72	72
D Seat angle (°)	73	73	73	73
E Chain stay length (mm)	485	485	485	485
F Bottom bracket drop (mm)	65	65	65	65
G Head tube length (mm)	160	170	180	190
H Fork installation height (mm)	468	468	468	468
I Forward fork curve (mm)	45	45	45	45
J Wheelbase (mm)	1107,5	1116,6	1125,7	1125,7
K Stack (mm)	648,4	657,9	667,4	676,9
L Reach (mm)	390	396	402	408
Standover/step-through height	814	840	866	890
Handlebar width (mm)	690	690	690	690
Stem length (mm)	80	80	100	100
Crank arm length (mm)	170	170	170	170

The specifications and not the pictures are decisive. Technical changes of the components and errors excepted.