

KALKHOFF DURBAN ADVANCE G9

- // The new urban product family for everyday riding
- // New E-Bike system - Groove Go
- // Compact mobility: Light rear motor and 252 Wh battery
- // Convenient aluminium front luggage carrier



retrobrown matte



midnightblue matte

MOTOR: Groove Go, 36 V / 250 W
DISPLAY: Control panel on battery

BATTERY: Groove Li-Ion 36 V / 7 Ah (252 Wh)
CHARGER: Groove Go, 2A

Recommended price
\$ 1,999

FRAME DESIGNS



GROOVE GO

SPECIFICATIONS

SHIFTING SYSTEM: Shimano 105, 9-speed
SHIFTER: Shimano Alivio M4000
CRANKSET: Concept
SPROCKET: Shimano HG400
GEAR RATIO: front: 44, rear: 11-32
DRIVETRAIN: KMC X9
BRAKES: Shimano M396, hydraulic disc brake
BRAKE ROTORS: front: 180 mm, rear: 160 mm
FRONT-LIGHT: AXA Blueline30, LED

REAR-LIGHT: AXA Blueline30, LED with stand light
FRAME: Urban RHM, aluminium
FORK: Urban Tour, rigid
STEM: aluminium, adjustable
HANDLEBAR: Concept Tour
GRIPS: Ergon GP10
SADDLE: Concept Trekking
SEATPOST: Concept
PEDALS: Comfort, with anti slip protection and reflector

RIMS: Rodi Web
HUBS: front: Concept, QR
rear: Groove Go, rearhub motor
TYRES: Schwalbe Energizer Plus, 40-622
FENDER: plastic
FRONT CARRIER: Sport, aluminium
KICKSTAND: Ursus Queen, rear stand
PERMISSIBLE
TOTAL CAPACITY: 285 lb

ITEM NUMBERS

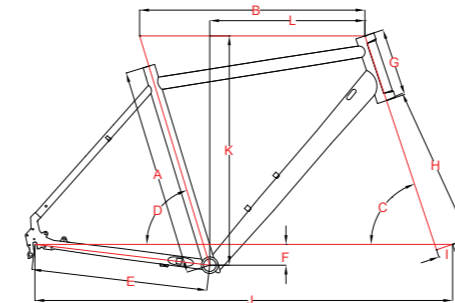
Freewheel

Item Size

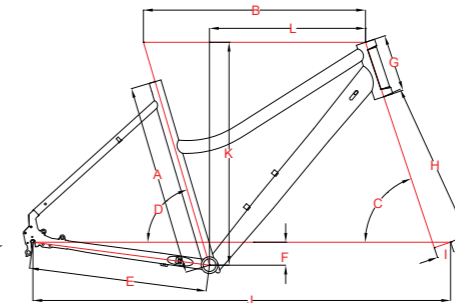
| | |
|-------------|-------|
| 28" Diamond | M/50 |
| 28" Diamond | L/55 |
| 28" Diamond | XL/60 |
| 28" Trapeze | S/45 |
| 28" Trapeze | M/50 |
| 28" Trapeze | L/55 |

GEOMETRIES

Diamond



Trapeze



| | Diamond | | | Trapeze | | |
|---------------------------------|---------|------|------|---------|------|------|
| Wheel diameter | 28" | 28" | 28" | 28" | 28" | 28" |
| A Seat tube length (mm) | 500 | 550 | 600 | 450 | 500 | 550 |
| B Top tube length (mm) | 580 | 595 | 610 | 570 | 580 | 595 |
| C Steering angle (°) | 71,5 | 71,5 | 71,5 | 71 | 71,5 | 71,5 |
| D Seat angle (°) | 73,5 | 73 | 72,5 | 74 | 73,5 | 73 |
| E Chain stay length (mm) | 465 | 465 | 465 | 465 | 465 | 465 |
| F Bottom bracket drop (mm) | 60 | 55 | 55 | 60 | 60 | 55 |
| G Head tube length (mm) | 150 | 180 | 220 | 150 | 150 | 180 |
| H Fork installation height (mm) | 415 | 415 | 415 | 415 | 415 | 415 |
| I Forward fork curve (mm) | 45 | 45 | 45 | 45 | 45 | 45 |
| J Wheelbase (mm) | 1091 | 1103 | 1113 | 1092 | 1091 | 1103 |
| K Stack (mm) | 582 | 606 | 644 | 580 | 582 | 606 |
| L Reach (mm) | 408 | 410 | 407 | 404 | 408 | 410 |
| Standover/step-through height | 807 | 840 | 883 | 713 | 713 | 726 |
| Handlebar width (mm) | 640 | 640 | 640 | 640 | 640 | 640 |
| Stem length (mm) | 85 | 85 | 100 | 85 | 85 | 100 |
| Crank arm length (mm) | 170 | 170 | 170 | 170 | 170 | 170 |

The specifications and not the pictures are decisive. Technical changes of the components and errors excepted.