

KALKHOFF AGATTU B8

- // Lower and wider crossbar
- // Bosch Active Plus drive system
- // Hydraulic Magura HS11 rim brake
- // Identical locking of the frame and battery locks



Champagne Beige matte

MOTOR: Bosch Performance, 36 V / 250 W

DISPLAY: Bosch Intuvia LCD, with control panel and walk assistst

BATTERY: Bosch PowerPack Li-Ion 36V / 13,4 Ah (500 Wh)

RANGE: up to 110 km

CHARGER: Bosch, 2A

Recommended price
\$ 2.999



FRAME DESIGNS



SPECIFICATIONS

SHIFTING SYSTEM: Shimano Nexus, 8-speed
 SHIFTER: Shimano Nexus
 CRANKSET: Concept
 SPROCKET: Shimano
 GEAR RATIO: front: 38, rear: 18
 DRIVETRAIN: KMC Z510-EPT
 BRAKES: Magura HS11, hydraulic rim brake
 FRONT-LIGHT: Herrmans H-Black MR8, LED
 REAR-LIGHT: Herrmans H-Trace, LED

FRAME: Bosch Comfort V1, aluminium
 FORK: SR Suntour CR-8V, preload adjust
 STEM: Concept SL, adjustable
 HANDLEBAR: Concept EX Metrostyle
 GRIPS: Ergon GC10
 SADDLE: Selle Bassano Feel GT
 SEATPOST: Patent MCU, suspension
 PEDALS: Comfort aluminium, with anti slip protection and reflector
 RIMS: Concept, with eyelets

HUBS: front: Shimano HB-TX800, QR, rear: Shimano Nexus, 8 speed
 TYRES: 26": Schwalbe Marathon, 47-559
 28": Schwalbe Marathon, 40-622
 FENDER: plastic, with edge protector
 FRONT CARRIER: Racktime system, tour
 KICKSTAND: rear stand
 LOCK: AXA, non-removeable key
 PERMISSIBLE
 TOTAL CAPACITY: 285 lbs

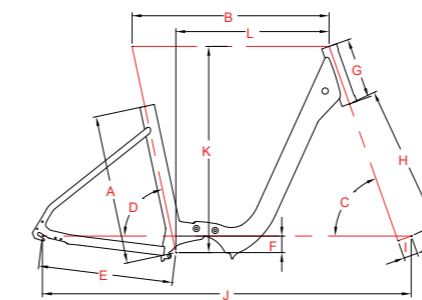
ITEM NUMBERS

Freewheel

Item	Size
26" Comfort	XS/45
28" Comfort	M/50
28" Comfort	L/55

GEOMETRIES

Comfort



	Comfort				
	26"	28"	28"	28"	28"
Wheel diameter	26"	28"	28"	28"	28"
A Seat tube length (mm)	450	450	500	550	600
B Top tube length (mm)	600	620	630	640	650
C Steering angle (°)	71	69,5	70,5	71	71,5
D Seat angle (°)	72	73,4	73,5	73,5	73,7
E Chain stay length (mm)	506	488	488	488	488
F Bottom bracket drop (mm)	40	60	60	60	60
G Head tube length (mm)	185	185	195	207	220
H Fork installation height (mm)	440	462	462	462	462
I Forward fork curve (mm)	45	45	45	45	45
J Wheelbase (mm)	1111,5	1179,2	1179,1	1184,8	1190,5
K Stack (mm)	618,7	652,6	668,9	680,3	694,8
L Reach (mm)	411,4	425,3	402,1	439,2	446,3
Standover/step-through height	413	430	430	430	430
Handlebar width (mm)	640	640	640	640	640
Stem length (mm)	90	90	90	90	110
Crank arm length (mm)	170	170	170	170	170

The specifications and not the pictures are decisive. Technical changes of the components and errors excepted.



KALKHOFF
MY BIKE