

KALKHOFF AGATTU B7

- // Bosch Active Line motor
- // New compact Purion display
- // Magura HS11 hydraulic rim brake
- // AXA 15 lux LED front light



Cherryred glossy



Seablue matte

MOTOR: Bosch Performance, 36 V / 250 W

BATTERY: Bosch PowerPack Li-Ion 36V / 11,1 Ah (400 Wh)

Recommended price
\$ 2.499

DISPLAY: Bosch Purion, LCD display with walk assist

RANGE: up to 80 mi



FRAME DESIGNS



SPECIFICATIONS

SHIFTING SYSTEM: Shimano Nexus, 7-speed
 SHIFTER: Shimano Nexus
 CRANKSET: Concept
 GEAR RATIO: front: 18, rear: 22
 DRIVETRAIN: KMC Z510-RB
 BRAKES: Magura HS11, hydraulic rim brake
 FRONT-LIGHT: AXA Echo15, LED
 REAR-LIGHT: Trelock LS 611, LED

FRAME: Bosch V2, aluminium
 FORK: SR Suntour CR-7 alloy, adjustable
 STEM: Concept Comfort
 HANDLEBAR: Selle Bassano Volare
 SEATPOST: Patent, 27.2x 300 mm, suspension
 PEDALS: Comfort, with anti slip protection and reflector
 RIMS: Concept, with eyelets

HUBS: front: Shimano HB-TX800, QR
 rear: Shimano Nexus, 7 speed
 TYRES: 26": Schwalbe Energizer Life, 47-559
 28": Schwalbe Energizer Life, 40-622
 FENDER: plastic, with edge protector
 KICKSTAND: rear stand
 PERMISSIBLE
 TOTAL CAPACITY: 285 lbs

ITEM NUMBERS

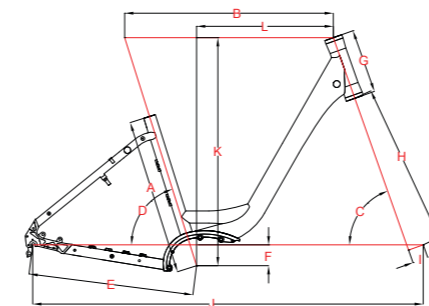
Freewheel

Item	Size
26" Wave	XS/45
28" Wave	M/50*

*only in Sea Blue Matte

GEOMETRIES

Wave



	Wave			
	26"	28"	28"	28"
Wheel diameter	26"	28"	28"	28"
A Seat tube length (mm)	450	450	500	550
B Top tube length (mm)	595	600	615	630
C Steering angle (°)	72	70,5	70,5	70,5
D Seat angle (°)	73	72,5	72,5	72,5
E Chain stay length (mm)	465	485	485	485
F Bottom bracket drop (mm)	40	60	60	60
G Head tube length (mm)	185	185	195	195
H Fork installation height (mm)	440	460	460	460
I Forward fork curve (mm)	45	45	45	45
J Wheelbase (mm)	1104	1133	1149	1163
K Stack (mm)	623	662	671	671
L Reach (mm)	404	391	403	418
Standover/step-through height	444	455	455	455
Handlebar width (mm)	640	640	640	640
Stem length (mm)	85	85	105	105
Crank arm length (mm)	170	170	170	170

The specifications and not the pictures are decisive. Technical changes of the components and errors excepted.